

[54] **CONSTANT DISTORTION VOLUME CONTROL UNIT**  
 [76] Inventor: **Donald T. Scholz**, 13 Rich Valley Rd., Wayland, Mass. 01778  
 [\*\*] Term: **14 Years**  
 [21] Appl. No.: **883,350**  
 [22] Filed: **Mar. 3, 1978**

[51] Int. Cl. .... **D14-99**  
 [52] U.S. Cl. .... **D14/96; D14/92**  
 [58] Field of Search ..... **D14/58, 92, 95, 96; 179/1 R, 1 A, 37, 15, 1 VL, 1 E; 84/1.27, 1.26, 1.25**

[56] **References Cited**  
**U.S. PATENT DOCUMENTS**

D. 159,458	7/1950	Zapolski .....	D14/92
D. 168,614	1/1953	Floria .....	D14/92
D. 199,677	12/1964	Mattingly .....	D14/92
D. 211,092	5/1968	Kahn .....	D14/92

D. 228,922	10/1973	Pruyne .....	D14/92
D. 244,214	5/1977	Ross .....	D14/96
D. 244,215	5/1977	Ross .....	D14/96

**OTHER PUBLICATIONS**

Allied Electronics for Everyone, 1968, P. 185, Talk-A-Phone, item No. #12B8054-X.

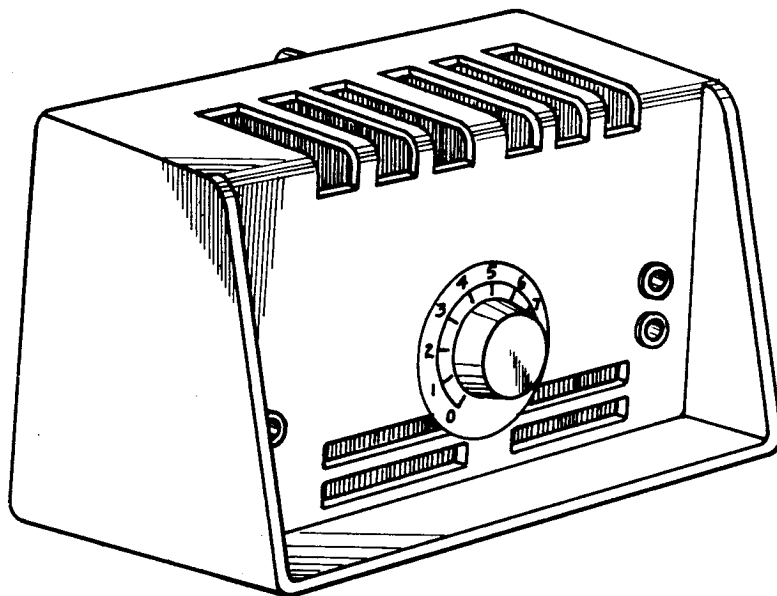
*Primary Examiner*—Bernard Ansher  
*Attorney, Agent, or Firm*—Arthur Z. Bookstein

[57] **CLAIM**

The ornamental design for a constant distortion volume control unit, as shown and described.

**DESCRIPTION**

FIG. 1 is a front perspective view of a constant distortion volume control unit, showing my new design; FIG. 2 is a front elevation of the unit; FIG. 3 is a left side elevation of the unit as seen from the left of FIG. 2; FIG. 4 is a rear elevation of the unit; FIG. 5 is a top plan view of the unit; and FIG. 6 is a bottom plan view of the unit.



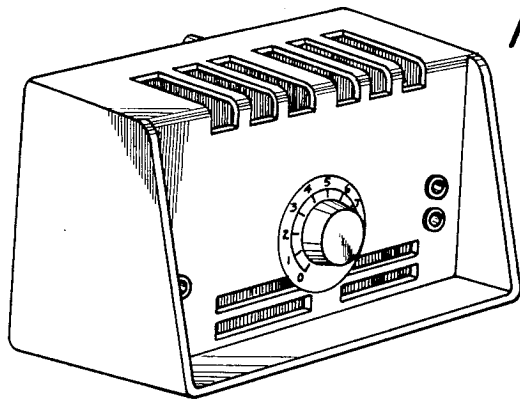


Fig. 1

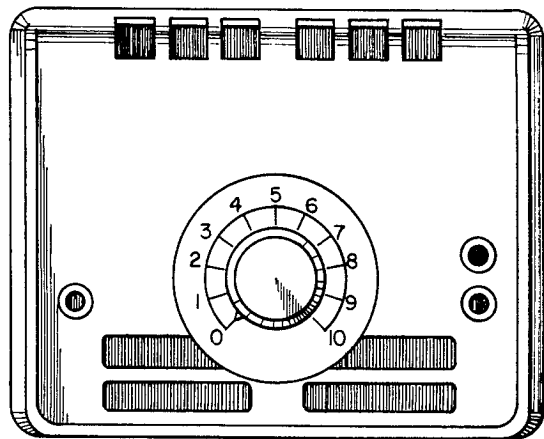


Fig. 2

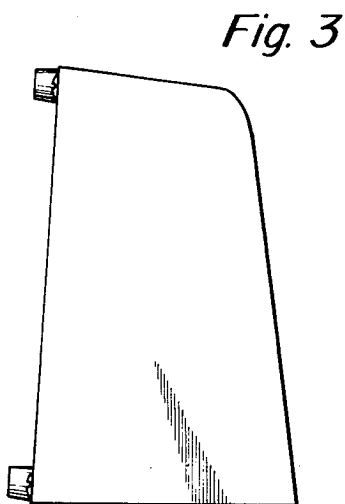


Fig. 3

Fig. 4

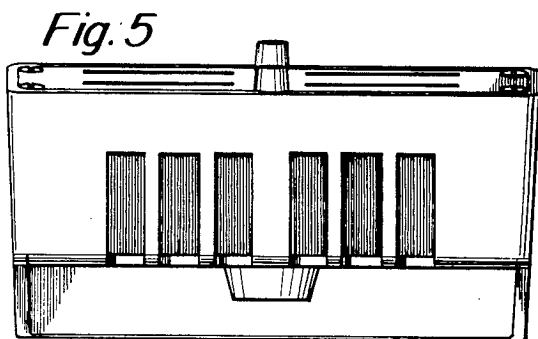
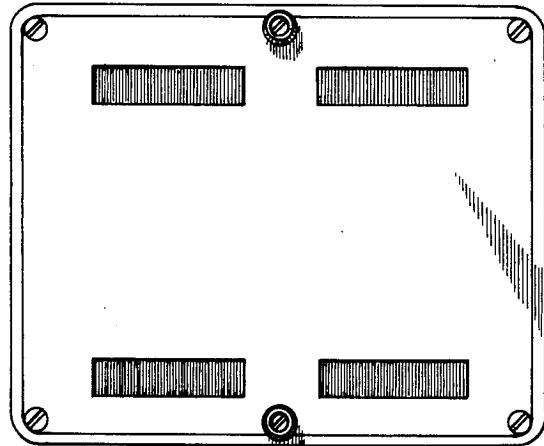


Fig. 5

Fig. 6

